



Tubular handles

Oval cross section, technopolymer and aluminium

HANDLE SHANKS

Glass-fibre reinforced polyamide based (PA) technopolymer, grey-black colour, matte finish.

COVERS

- ECA.V: polyamide based (PA) technopolymer, in Elecolors colours, glossy finish, press-fit assembly. Supplied, removable by a screwdriver.

Available also as accessory sold separately (see table).

STANDARD EXECUTIONS

Pass-through holes for cylindrical-head screws with hexagon socket, hexagonal-head screws or standard lock nuts.

- **EVH-EP:** aluminium tube, epoxy resin coating, metalflake graphite colour, matte finish. Highly resistant to wear, scratches and chemical agents. Avoid continuous and prolonged contact with boiling water or steam.

- **EVH-AN:** anodised aluminium tube, natural colour.

Suggested tightening torque:

- back mounting with plain holes: 8 [Nm]

- front mounting with plain or tapped holes: 15 [Nm].

ERGONOMY AND DESIGN

The large diameter of the tube offers a good and comfortable grip.

TECHNICAL DATA

Tensile stress: F2 values reported in the table are the result of breaking tests carried out with the appropriate dynamometric equipment under the test conditions shown in the figure with ambient temperature.

SPECIAL EXECUTIONS ON REQUEST

Different lengths.

ACCESSORIES ON REQUEST

ECA.V: polyamide based (PA) technopolymer closing caps, in Elecolors colours, glossy finish, press-fit assembly.



ERGOSTYLE® ELESA Original design

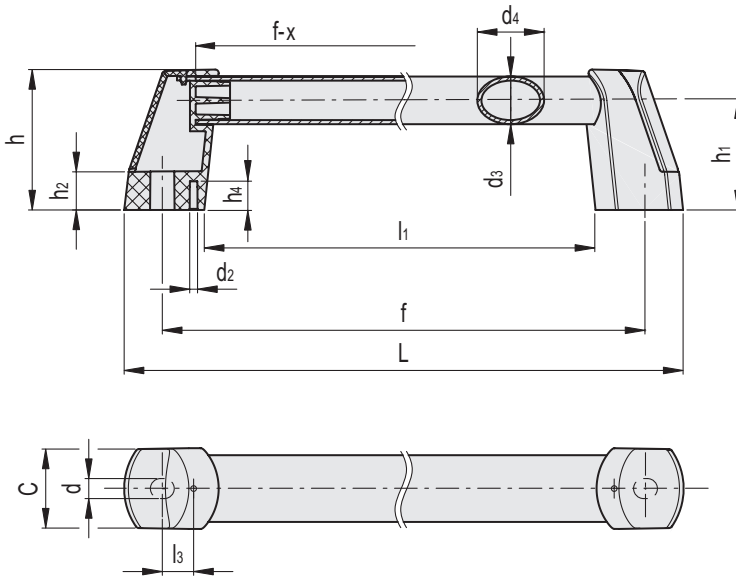


C1 RAL7021
 C2 RAL2004
 C3 RAL7035
 C4 RAL1021
 C5 RAL5024
 C6 RAL3000
 C17 RAL6017

ECA.V

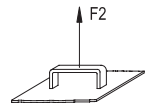
Code	Description	Cover for
29873-.*	ECA.V-.*	EVH.

* Complete with colour index (C1, ..., C17).



* Complete with colour index, example: 262301-C2 EVH.300-EP-C2

- C1**
RAL7021
- C2**
RAL2004
- C3**
RAL7035
- C4**
RAL1021
- C5**
RAL5024
- C6**
RAL3000
- C17**
RAL6017



EVH-EP

Code	Description	d3	f±1	L	d	d4	h	h1	h2	h4	l1	l3	d2	C	x	F2 [N]*	F2 [N]#	⚖️
262301-*	EVH.300-EP-*	25	300	340	10.5	35	74	57.5	20	15	256	16.4	4	42.5	35	3200	4200	235
262311-*	EVH.350-EP-*	25	350	390	10.5	35	74	57.5	20	15	306	16.4	4	42.5	35	3000	3500	268
262321-*	EVH.400-EP-*	25	400	440	10.5	35	74	57.5	28	15	356	16.4	4	42.5	35	2700	3100	456
262331-*	EVH.500-EP-*	25	500	540	10.5	35	74	57.5	20	15	456	16.4	4	42.5	35	2100	2400	301
262341-*	EVH.600-EP-*	25	600	640	10.5	35	74	57.5	20	15	556	16.4	4	42.5	35	1300	1900	335
262351-*	EVH.700-EP-*	25	700	740	10.5	35	74	57.5	20	15	656	16.4	4	42.5	35	1200	1600	368

EVH-AN

Code	Description	d3	f±1	L	d	d4	h	h1	h2	h4	l1	l3	d2	C	x	F2 [N]*	F2 [N]#	⚖️
262303-*	EVH.300-AN-*	25	300	340	10.5	35	74	57.5	20	15	256	16.4	4	42.5	35	3200	4200	235
262313-*	EVH.350-AN-*	25	350	390	10.5	35	74	57.5	20	15	306	16.4	4	42.5	35	3000	3500	268
262323-*	EVH.400-AN-*	25	400	440	10.5	35	74	57.5	20	15	356	16.4	4	42.5	35	2700	3100	268
262333-*	EVH.500-AN-*	25	500	540	10.5	35	74	57.5	20	15	456	16.4	4	42.5	35	2100	2400	301
262343-*	EVH.600-AN-*	25	600	640	10.5	35	74	57.5	20	15	556	16.4	4	42.5	35	1300	1900	335
262353-*	EVH.700-AN-*	25	700	740	10.5	35	74	57.5	20	15	656	16.4	4	42.5	35	1200	1600	368

* Maximum working load

Load at breakage

