

## Three-arm knobs

### Technopolymer

#### MATERIAL

Glass-fibre reinforced polyamide based (PA) technopolymer, polyamide based (PA) technopolymer coating, chemically bonded with semi-glossy finish, black colour.

#### COLOURED CENTRE CAP

Polyamide based (PA) technopolymer, in the standard colours, semi-glossy finish.

#### STANDARD EXECUTIONS

- **VB.839-B**: brass boss, threaded blind hole.
- **VB.839-SST**: AISI 303 stainless steel boss, threaded blind hole.
- **VB.839-p**: zinc-plated steel threaded stud, chamfered flat end according to UNI 947 : ISO 4753 (see Technical data).

#### FEATURES

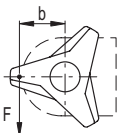
The three-arm shape is particularly ergonomic, ensuring an excellent grip.

#### SPECIAL EXECUTIONS ON REQUEST

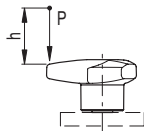
- Three-arm knobs with AISI 304 stainless steel metal parts.
- Cap in other colours or with customised graphic symbols, marks or writings.



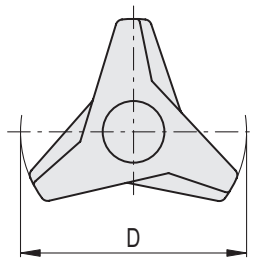
ELESA Original design



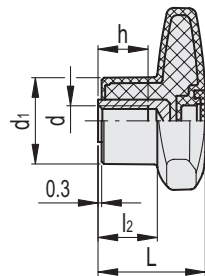
$$C [Nm] = F [N] \cdot b [m]$$



$$L [J] = P [N] \cdot h [m]$$



VB.839-B



\* Complete with colour index, example: 64635-C2 VB.839/63 B-M8-C2

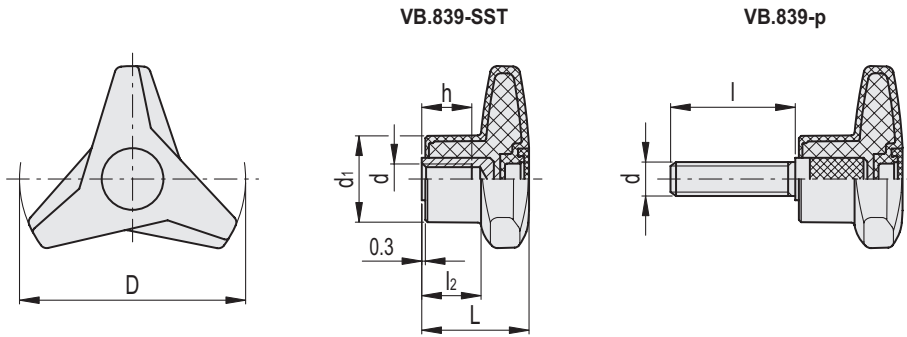
C9 RAL9005
  C2 RAL2004
  C3 RAL7035
  C4 RAL1021
  C5 RAL5024
  C6 RAL3000
  C17 RAL6017

### VB.839-B

Code	Description	D	d	L	d1	l2	h	C# [Nm]	L** [J]	⚖
64635-*	VB.839/63 B-M8-*	63	M8	30,5	23	16	13	30	9	41
64636-*	VB.839/63 B-M10-*	63	M10	30,5	23	16	13	30	9	40
64675-*	VB.839/80 B-M10-*	80	M10	37	30,5	20	17	80	10	71
64676-*	VB.839/80 B-M12-*	80	M12	37	30,5	20	17	80	10	75
64705-*	VB.839/100 B-M12-*	100	M12	43	35	23	20	110	11	110
64706-*	VB.839/100 B-M14-*	100	M14	43	35	23	20	110	11	121

# "Max limit Tightening torque" means the max torque value at which the metal insert, in normal conditions of use, is perfectly and strongly anchored to the plastic material.

\*\* For impact strength (L) see Technical data.



\* Complete with colour index, example: 64652-C2 VB.839/63 p-M8x25-C2

	<b>C9</b>		<b>C2</b>		<b>C3</b>		<b>C4</b>		<b>C5</b>		<b>C6</b>		<b>C17</b>
	RAL9005		RAL2004		RAL7035		RAL1021		RAL5024		RAL3000		RAL6017

**VB.839-SST**

**STAINLESS STEEL**

Code	Description	D	d	L	d1	l2	h	C# [Nm]	L** [J]	⚖️
64638-*	VB.839/63 SST-M8-*	63	M8	30,5	23	16	13	30	9	41
64678-*	VB.839/80 SST-M10-*	80	M10	37	30,5	20	17	80	10	71
64708-*	VB.839/100 SST-M12-*	100	M12	43	35	23	20	110	11	109

**VB.839-p**

Code	Description	D	d	L	d1	l	l2	C# [Nm]	L** [J]	⚖️
64652-*	VB.839/63 p-M8x25-*	63	M8	30,5	23	25	16	25	9	46
64692-*	VB.839/80 p-M10x30-*	80	M10	37	30,5	30	20	50	10	87
64722-*	VB.839/100 p-M12x40-*	100	M12	43	35	40	23	110	11	137

# "Max limit Tightening torque" means the max torque value at which the metal insert, in normal conditions of use, is perfectly and strongly anchored to the plastic material.

\*\* For impact strength (L) see Technical data.