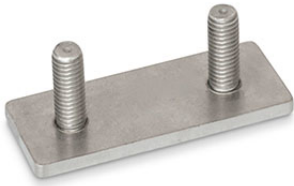


GN 2376

Stainless Steel-Plates

with threaded studs, for hinges GN 7237, GN 235



Specification

Stainless Steel **NI**

- AISI 304
- matte, tumbled finish **MT**

Threaded studs

Stainless Steel

- AISI 304
- pressed in

Information

Stainless Steel-Plates with threaded studs GN 2376 are designed as accessories for Stainless Steel-Multiple-joint hinges [GN 7237](#) as well as hinges GN 235. They make additional threads, bolts, nuts and washers unnecessary during installation. This eliminates the labor-intensive preinstallation of such parts as well as the need to hold them in place during tightening or loosening.

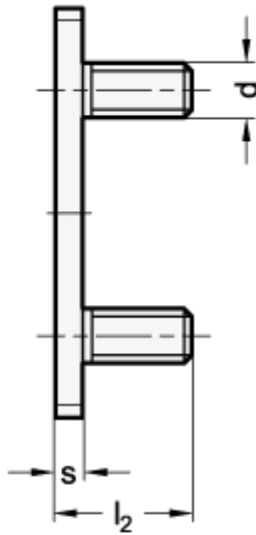
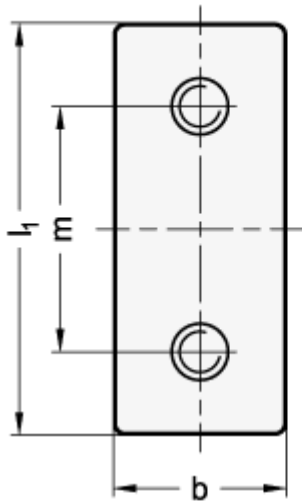
The Stainless Steel-Plates with threaded studs are fastened from the outside via through-holes in the housing wall or alternatively by welding to the inside of the wall. This results in effective protection against vandalism, and the outsides of the housing remain free of attachments that do not match the design or that should be avoided entirely in the interests of easy cleaning.

Technical information

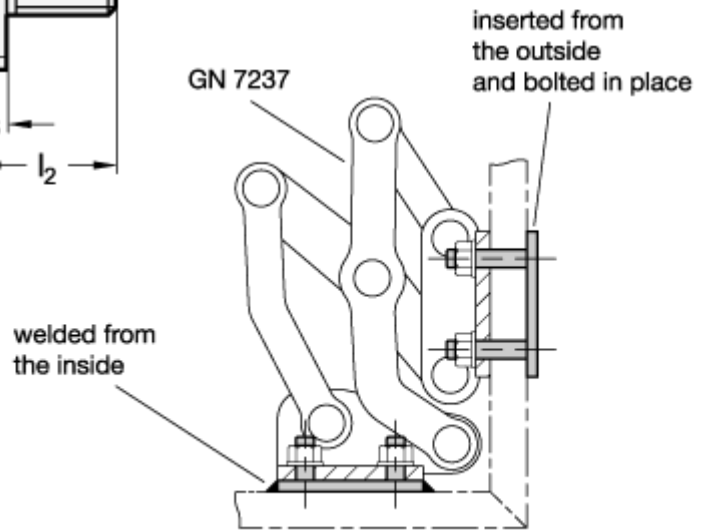
- [Stainless Steel characteristics](#)

On request

- other threaded studs
 - other plate sizes
 - other plate geometries
-



Mounting example



GN 2376

Description	l_1	l_2	b	d	m	s	Weight
GN 2376-NI-40-15-MT	40	15	15	M 5	25	3	17
GN 2376-NI-40-25-MT	40	25	15	M 5	25	3	19
GN 2376-NI-50-20-MT	50	20	20	M 6	30	3	30
GN 2376-NI-50-30-MT	50	30	20	M 6	30	3	33
GN 2376-NI-60-20-MT	60	20	25	M 8	36	4	46
GN 2376-NI-60-30-MT	60	30	25	M 8	36	4	52