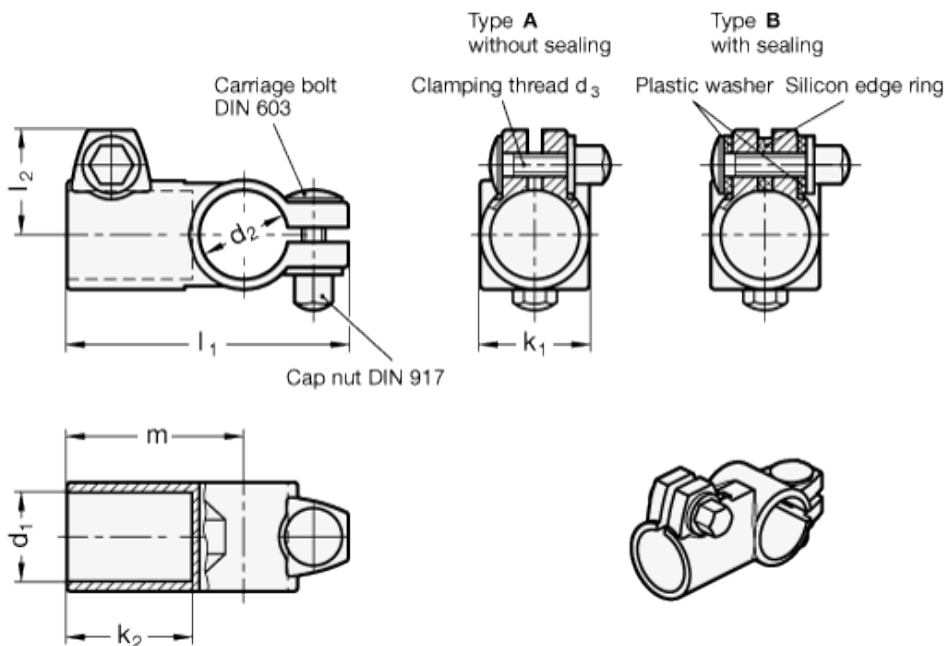


GN 192.5

T-angle connector clamps



INOX
Stainless Steel



technical informations

Material

Stainless Steel AISI CF-8, matt shot-blated.

Clamping bores

Mechanically machined.

Carriage bolt DIN 603

Stainless Steel A2.

Cap nuts DIN 917

Stainless Steel A2.

Sealings

- Washers Plastic (Polyacetal POM)
- Edge ring, Silicon, 40 ... 60 Shore A

Type

- Type A: without sealing
- Type B: with sealing

Features and applications

The clamping bores of the Stainless Steel-T-angle connector clamps GN 192.5 are mechanically machined and designed for construction tubings GN 990 or DIN 2391, DIN 2395 and DIN 2462 respectively. The shape of the clamping screws / nuts prevents the formation of wetness due to dammed-up water. The designs with sealing (Type B) also seals bore holes and threads.

Standard Elements	Main dimensions								Weight
Description	d ₁	d ₂	k ₁	d ₃	k ₂	l ₁	l ₂	m	g
GN 192.5-B30-B30-37-A	B 30	B 30	37	M 8	42	96	35	60	353
GN 192.5-B30-B30-37-B	B 30	B 30	37	M 8	42	96	35	60	361



STANDARD MACHINE ELEMENTS WORLDWIDE