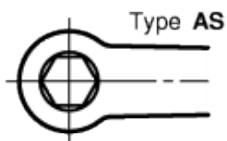
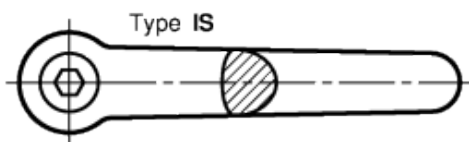
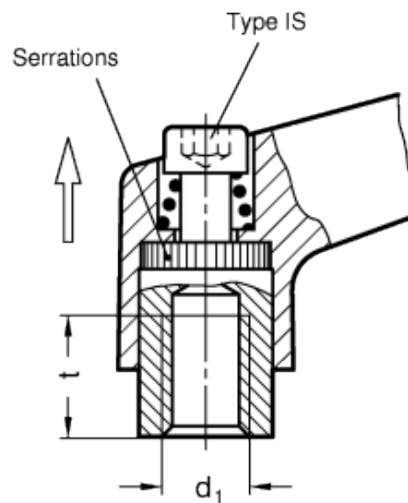
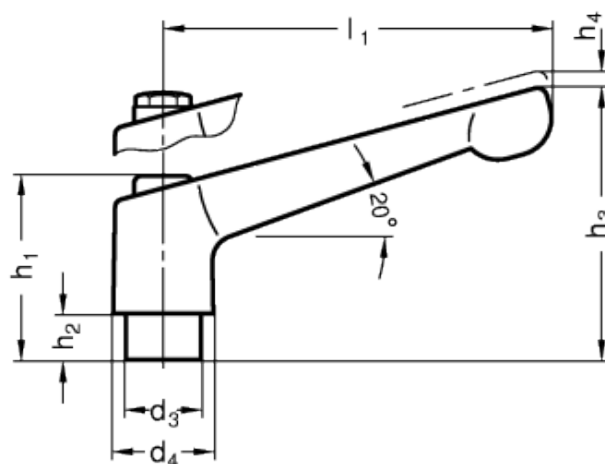


GN 300.6

Adjustable handles



INOX
Stainless Steel



technical informations

Lever body

Stainless steel AISI CF-8 (precision casting), electropolished.

Clamping element

AISI 303 stainless steel with threaded hole and toothed element for coupling to the lever body, AISI 303 stainless steel screw and AISI 301 stainless steel return spring.

Standard versions available

- Type AS: with external hexagon.
- Type IS: with internal hexagon.

Features and applications

Adjustable hand levers GN 300.6 with full Stainless Steel-Handle, correspond to applications where „agressive“ surrounding conditions are given, or where stainless steel materials are prescribed such as in food processing or chemical industry. Retaining screws with hexagon head (Type AS) comply with the requirement "prevents water from accumulating". Adjustable hand levers have proved to be ideal whenever parts have to be clamped in a confined space or in a particular lever position. The centre insert is connected to the lever via serrations which can easily be disengaged. Pulling the lever, disengages the serrations and allowing it to be swivelled to the ideal clamping position. On releasing the lever the serrations automatically re-engage.

Instruction of use

For clamping, lift the lever to disengage the clamping device toothing and bring it back to start position. By releasing the lever, the return spring automatically engages the toothing. If the lever cannot make a 360° rotation, the clamping element can be easily screwed by means of the hexagon socket front head screw (after having disengaged the lever).

Standard Elements	Main dimensions							Mounting hole		Weight
Description	l ₁	d ₃	d ₄	h ₁	h ₂	h ₃	h ₄	d ₁	t _{min.}	g
GN 300.6-30-M3-AS	30	10	13	24.5	4	31	3.5	M3	7	27
GN 300.6-30-M3-IS	30	10	13	24.5	4	31	3.5	M3	7	27
GN 300.6-30-M4-AS	30	10	13	24.5	4	31	3.5	M4	8	27
GN 300.6-30-M4-IS	30	10	13	24.5	4	31	3.5	M4	8	27
GN 300.6-30-M5-AS	30	10	13	24.5	4	31	3.5	M5	8	26
GN 300.6-30-M5-IS	30	10	13	24.5	4	31	3.5	M5	8	26
GN 300.6-30-M6-AS	30	10	13	24.5	4	31	3.5	M6	8	25
GN 300.6-30-M6-IS	30	10	13	24.5	4	31	3.5	M6	8	25
GN 300.6-45-M4-AS	45	10	13	24.5	4	31	3.5	M4	8	35
GN 300.6-45-M4-IS	45	10	13	24.5	4	31	3.5	M4	8	35
GN 300.6-45-M5-AS	45	10	13	24.5	4	31	3.5	M5	8	40
GN 300.6-45-M5-IS	45	10	13	24.5	4	31	3.5	M5	8	40
GN 300.6-45-M6-AS	45	10	13	24.5	4	31	3.5	M6	8	39
GN 300.6-45-M6-IS	45	10	13	24.5	4	31	3.5	M6	8	39
GN 300.6-63-M6-AS	63	13.5	17.5	31	6.5	45	4	M6	11	90
GN 300.6-63-M6-IS	63	13.5	17.5	31	6.5	45	4	M6	11	90
GN 300.6-63-M8-AS	63	13.5	17.5	31	6.5	45	4	M8	11	88
GN 300.6-63-M8-IS	63	13.5	17.5	31	6.5	45	4	M8	11	88
GN 300.6-78-M8-AS	78	16	21	36	8	55	4	M8	14	147
GN 300.6-78-M8-IS	78	16	21	36	8	55	4	M8	14	147
GN 300.6-78-M10-AS	78	16	21	36	8	55	4	M10	14	143
GN 300.6-78-M10-IS	78	16	21	36	8	55	4	M10	14	143
GN 300.6-92-M10-AS	92	19	24	43	11	63	4	M10	17	187
GN 300.6-92-M10-IS	92	19	24	43	11	63	4	M10	17	187
GN 300.6-92-M12-AS	92	19	24	43	11	63	4	M12	17	178
GN 300.6-92-M12-IS	92	19	24	43	11	63	4	M12	17	178



STANDARD MACHINE ELEMENTS WORLDWIDE