

ERS.

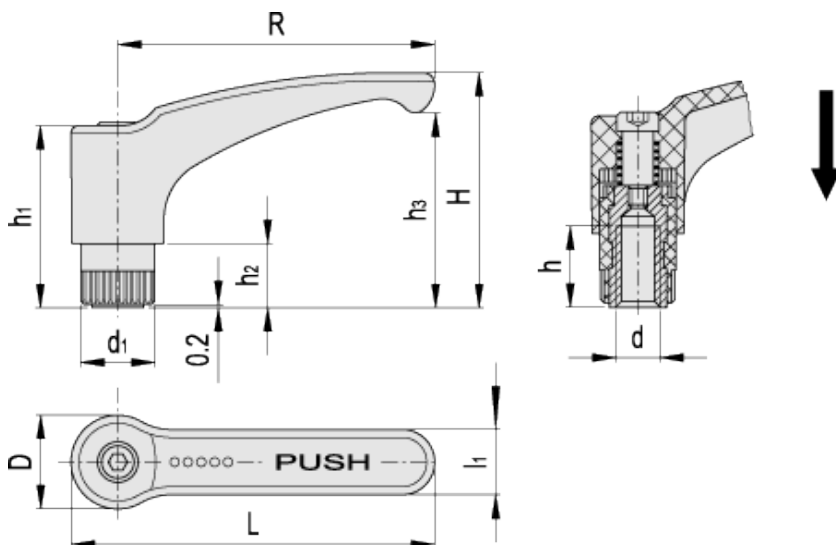
Safety adjustable handles
with push action



ELESA Original design



ERGOSTYLE®



technical informations

Lever body

Glass-fibre reinforced polyamide based (PA) technopolymer, with "PUSH" tampoprinted in red colour (avoid contact with solvents, alcohol or detergents containing alcohol).

Colour

Grey-black, matte finish.

Standard executions

Glass-fibre reinforced technopolymer, black colour, with knurling on the protruding part to make initial tightening easier. Black-oxide steel retaining screw, AISI 302 stainless steel return spring.

- ERS-A: black-oxide boss, threaded blind hole.
- ERS-B: brass boss, threaded blind hole.

Features and applications

Particularly suitable when the lever turning angle is limited owing to lack of space and to avoid any accidental shocks which may affect the clamping action.

Stress resistance

Adjustable handles are generally used for repetitive clamping operations sometimes with very high-frequency. Therefore, the stress resistance (i.e. the resistance to repeated tightening cycles) of the handle unit is particularly important and, especially, the strength of the toothed element which transmits the tightening force from the handle to the threaded element (boss or stud).

In fact, the results of several laboratory tests, performed with a special instrument that simulates the most severe use conditions, have shown that e.g. ERS. adjustable handle can withstand without yielding.

The special glass-fibre reinforced technopolymer enables the ELESa adjustable handles to guarantee stress resistance values which are much higher than the ones generated under normal working conditions.

Instructions of use

For clamping push the lever to engage the clamping device toothing and turn it. By releasing the lever, the return spring automatically disengages the toothing and lever return to its rest position.

In case of accidental shocks, the lever turns freely without affecting the clamping action enabling the operator to manoeuvre in safety.

Standard Elements		Main dimensions										Mounting hole		Teeth no.	Weight
Code	Description	R	L	D	H	h ₁	h ₂	h ₃	d ₁	l ₁	d _{6H}	h	z	g	
236902	ERS.44 A-M4	44	52	15.5	36	29	9	28	12	11	M4	10	18	14	
236903	ERS.44 A-M5	44	52	15.5	36	29	9	28	12	11	M5	10	18	13	
236904	ERS.44 A-M6	44	52	15.5	36	29	9	28	12	11	M6	10	18	12	
236913	ERS.63 A-M6	63	73.5	19	48	37	12	37	15	13.5	M6	13	20	25	
236914	ERS.63 A-M8	63	73.5	19	48	37	12	37	15	13.5	M8	13	20	24	
236935	ERS.63 B-M8	63	73.5	19	48	37	12	37	15	13.5	M8	13	20	24	



ELESa and GANTER models all rights reserved in accordance with the law. Always mention the source when reproducing our drawings.

STANDARD MACHINE ELEMENTS WORLDWIDE