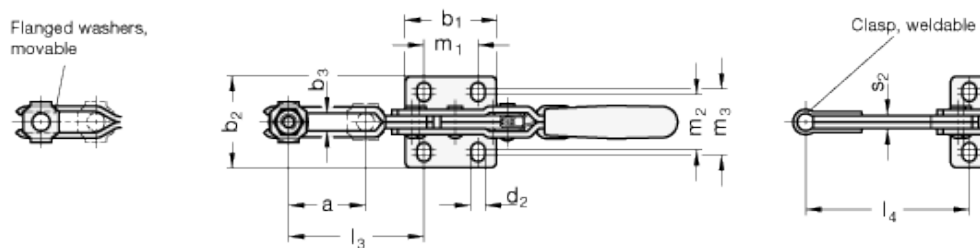
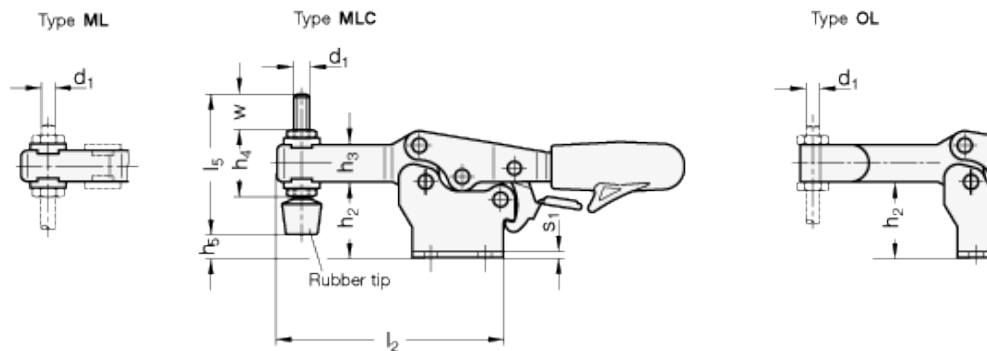
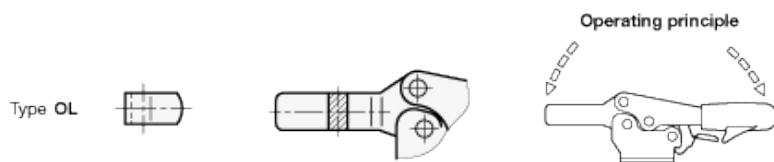
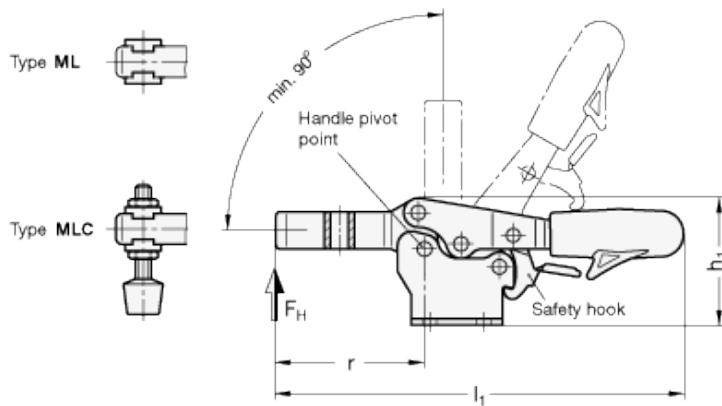


GN 820.3-NI

Stainless Steel-Horizontal clamps



INOX
Stainless Steel





technical informations

Specificaiton

Types

- Type ML: U-bar Version, with two flanged washers
- Type MLC: U-bar Version, with two flanged washers and GN 708.1 spindle assembly
- Type OL: Solid bar Version

Stainless Steel NI
AISI 304

Hand grip
High Quality, oil resistan red plastic

Spindle assembly GN 708.1 (Type A)
- Stainless Steel AISI 304
- Rubber tip 85 Shore A

Information

GN 820.3 horizontal acting toggle clamps have a safety function whereby, during closing, a spring loaded safety hook latch ensures a secure locking connection. It prevents the inadvertent unlocking of the clamp due to vibrations or an accidental attempt of loosening / opening of the clamp. To open and release the clamp, pull up on the finger grip to disengage the safety hook latch mechanism (one hand operation).

They work according to the toggle principle: lever and clamping bar move in the opposite direction. They require less space for the clamping action.

Horizontal acting toggle clamps in the U-bar version with two flanged washers (Type ML) can accommodate an application specific clamping screw. A spindle assembly with neoprene rubber tip is also included for Type MLC.

Type OL version can either be utilized by welding the clasp which can then accommodate an application specific hold-down fastener component, or by utilizing the bar in conjunction with the GN 809 Clamp Mounts to hold the work piece in place.

Accessory

- Clamping bolts
- Holders for clamping bolts GN 801 (for Type ML)
- Holders for clamping bolts GN 809 (for Type OL)

Standard Elements	Main dimensions																							Weight				
Description	Size	F _H	In	N	a	b ₁	b ₂	b ₃	d ₁	d ₂	h ₁	h ₂	h ₃	h ₄	h ₅	l ₁	l ₂	l ₃	l _{4 max.}	l ₅	m ₁	m ₂	m ₃	r	s ₁	s ₂	w	
GN 820.3-75-ML-NI	75	900	20	28	26	5.3	M5	4.5	37	20	11	-	-	118	67	40	-	-	13.5	16	19	43	2	-	-	-	-	-
GN 820.3-130-ML-NI	130	2000	32	36	40	6.3	M6	5.6	51	30.5	16	29	-	172	92	53	-	-	26	22.4	28.4	62	2.5	-	-	-	-	-
GN 820.3-230-ML-NI	230	1700	37	44	44	8.5	M8	6.6	61.5	36.5	18	-	-	196	109	63.5	-	-	26	26	31.5	72	3	-	-	-	-	-
GN 820.3-75-MLC-NI	75	900	20	28	26	5.3	M5	4.5	37	20	11	19	5	118	67	40	-	45	113.5	16	19	43	2	-	-	-	-	15
GN 820.3-130-MLC-NI	130	2000	32	36	40	6.3	M6	5.6	51	30.5	16	25.5	14	172	92	53	-	55	26	22.4	28.4	62	2.5	-	-	-	-	17.5
GN 820.3-230-MLC-NI	230	1700	37	44	44	8.5	M8	6.6	61.5	36.5	18	30	12.5	196	109	63.5	-	68	26	26	31.5	72	3	-	-	-	-	20
GN 820.3-75-OL-NI	75	900	-	28	26	-	M5	4.5	37	20	11	-	-	118	67	-	49.5	-	13.5	16	19	43	2	4	-	-	-	-
GN 820.3-130-OL-NI	130	2000	-	36	40	-	M6	5.6	51	30.5	16	-	-	172	92	-	64	-	26	22.4	28.4	62	2.5	5	-	-	-	-
GN 820.3-230-OL-NI	230	1700	-	44	44	-	M8	6.6	61.5	36.5	18	-	-	196	109	-	78	-	26	26	31.5	72	3	6	-	-	-	-

