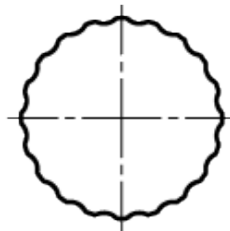
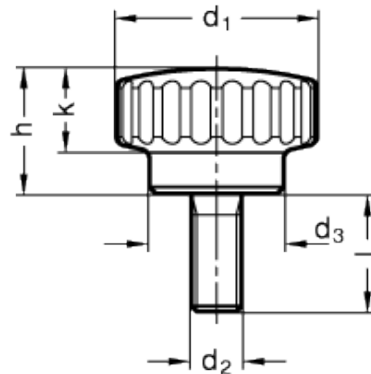
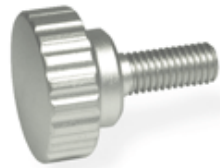


GN 535

Knurled screws



INOX
Stainless Steel



technical informations

Material

- AISI 304 stainless steel.
- Version MT: matt blasted.
- Version PL: polished.

Assembly

Threaded pin.

Features and applications

The knurling of the Stainless steel-Knurlled screws GN 535 allows a use in an environment with hygienic requirements.

Standard Elements	Main dimensions				Threaded pin		Weight
Description	d ₁	d ₃	h	k	d ₂	l	g
GN 535-20-M5-10-MT	20	14	13	8.5	M5	10	26
GN 535-20-M5-10-PL	20	14	13	8.5	M5	10	26
GN 535-20-M5-16-MT	20	14	13	8.5	M5	16	27
GN 535-20-M5-16-PL	20	14	13	8.5	M5	16	27
GN 535-24-M6-16-MT	24	16	15	10.5	M6	16	44
GN 535-24-M6-16-PL	24	16	15	10.5	M6	16	44
GN 535-24-M6-20-MT	24	16	15	10.5	M6	20	44
GN 535-24-M6-20-PL	24	16	15	10.5	M6	20	44
GN 535-24-M6-25-MT	24	16	15	10.5	M6	25	45
GN 535-24-M6-25-PL	24	16	15	10.5	M6	25	45
GN 535-28-M8-16-MT	28	18	17	12.5	M8	16	68
GN 535-28-M8-16-PL	28	18	17	12.5	M8	16	68
GN 535-28-M8-20-MT	28	18	17	12.5	M8	20	69
GN 535-28-M8-20-PL	28	18	17	12.5	M8	20	69
GN 535-28-M8-30-MT	28	18	17	12.5	M8	30	72
GN 535-28-M8-30-PL	28	18	17	12.5	M8	30	72



STANDARD MACHINE ELEMENTS WORLDWIDE