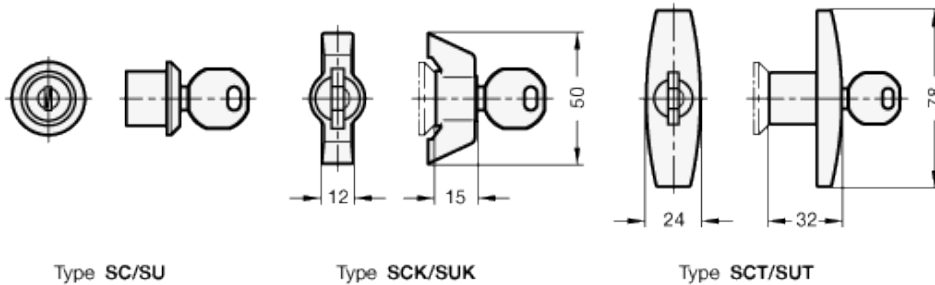
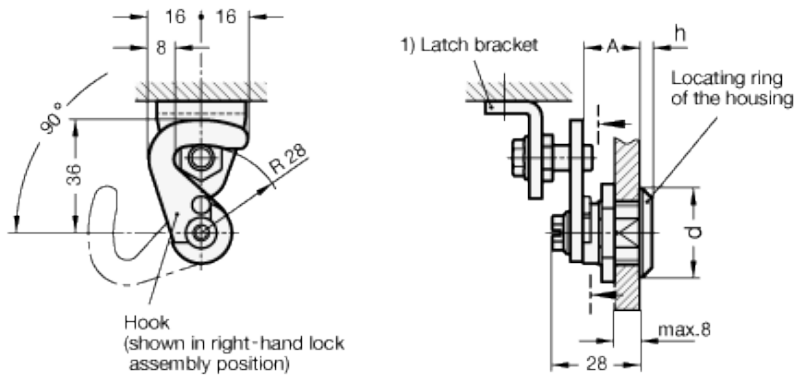


# GN 115.8

Hook-type latches



## technical informations

### Lock housing versions

Zinc alloy die-cast.

### Locating ring

- Chromium-plated CR
- RAL 9005 black colour SW, matte finish, epoxy resin coating.

### Metal elements

Zinc-plated steel, blue passivated.

### Key

Nickel silver with plastic hand piece.

### Wrench / T-Handle

Plastic (Polyamide PA), black matt.

### Standard versions available

- Type SC: Operation with key (same lock).
- Type SU: Operation with key (different lock).
- Type SCK: Operation with wrench (same lock).
- Type SUK: Operation with wrench (different lock).
- Type SCT: Operation with T-Handle (same lock).
- Type SUT: Operation with T-Handle (different lock).

### Version of the hook

- Version H1 Pivot radius R=28.

### Identification no.

- Identification no. 1 without latch bracket
- Identification no. 2 with latch bracket

### Accessories on request

- Hook type latches with other hook distance A.
- Hook with other pivoting radius R.

### Features and applications

Hook-type latches GN 115.8 with hook and latch bracket are mainly used for sliding doors and flaps. The locking Action is in radial direction to the axis of Rotation, resulting in a wide variety of different uses. Two keys are supplied with the unit. The key can be removed in both end positions. Hook-type latches GN 115.8 are supplied with the hook enclosed loose.

Standard Elements	Main dimensions			Weight
	A	d	h	
Description				g
GN 115.8-SC-18-H1-1-*	18	28	4	100
GN 115.8-SU-18-H1-1-*	18	28	4	84
GN 115.8-SCK-18-H1-1-*	18	32	6	128
GN 115.8-SUK-18-H1-1-*	18	32	6	129
GN 115.8-SCT-18-H1-1-*	18	32	6	161
GN 115.8-SUT-18-H1-1-*	18	32	6	128
GN 115.8-SC-18-H1-2-*	18	28	4	120
GN 115.8-SU-18-H1-2-*	18	28	4	124
GN 115.8-SCK-18-H1-2-*	18	32	6	150
GN 115.8-SUK-18-H1-2-*	18	32	6	168
GN 115.8-SCT-18-H1-2-*	18	32	6	201
GN 115.8-SUT-18-H1-2-*	18	32	6	168

\*Complete the description of the standard item needed by adding CR (chrome plated) or SW (black, RAL 9005, textured finish)



STANDARD MACHINE ELEMENTS WORLDWIDE